



MODEL G8992 110V MAGNETIC ON/OFF SWITCH INSTRUCTIONS

For questions or help with this product contact Tech Support at (570) 546-9663 or techsupport@grizzly.com

!WARNING

To reduce risk of serious burns, electrocution or death when installing this switch:

- Only use this switch to replace an existing machine switch that has the same physical configuration and equivalent electrical specifications/ratings.
- Installation must only be performed by an electrician or qualified service personnel, and all applicable electrical codes must be adhered to.
- Turn off and completely disconnect all power sources to the machine before installing the switch.
- Do not use this switch in wet or damp locations, or near explosive fumes or flammable liquids. It is not sealed or rated for these environments.
- Make sure there is a verified machine ground on the circuit this switch is installed.

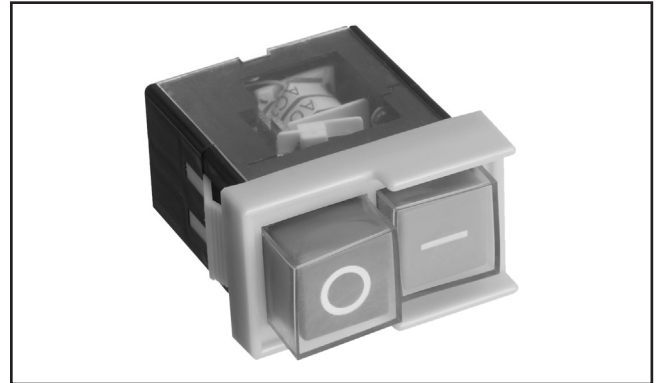


Figure 1. G8992 Magnetic ON/OFF Switch.

Introduction

The Model G8992 features a recessed magnetic ON (|) button. The switch assembly is designed to snap into a 1 $\frac{1}{8}$ " x 1 $\frac{7}{8}$ " rectangular hole.

Specifications

Rated Voltage..... 110V
Rated Current..... 6A

COPYRIGHT © APRIL, 2011 BY GRIZZLY INDUSTRIAL, INC.

WARNING: NO PORTION OF THIS INSTRUCTION SHEET MAY BE REPRODUCED IN ANY SHAPE OR FORM WITHOUT THE WRITTEN APPROVAL OF GRIZZLY INDUSTRIAL, INC.

#TS13925 PRINTED IN CHINA

Installation

When installing the G8992 switch, use the wiring diagram in **Figure 2** to ensure proper wire connections.

WARNING

This switch is intended to be connected to stranded wire with insulated quick-disconnect crimp-type female wire terminals having a 1/4" tab.



All crimps must be "pull-checked" to ensure that wires are securely crimped and will not fall out with moderate tension or when exposed to normal machine vibration.

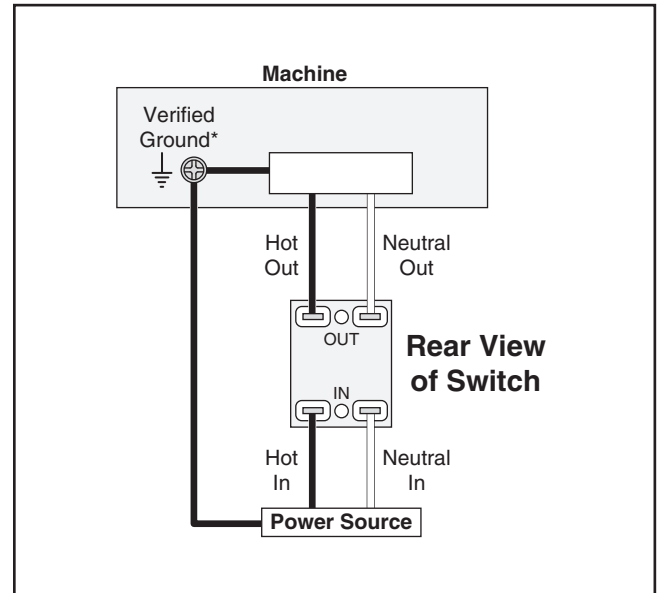


Figure 2. G8992 wiring diagram.

*The machine **MUST** be connected to a verified ground. In the event of certain malfunctions or breakdowns, grounding reduces the risk of electric shock by providing a path of least resistance for electric current.

